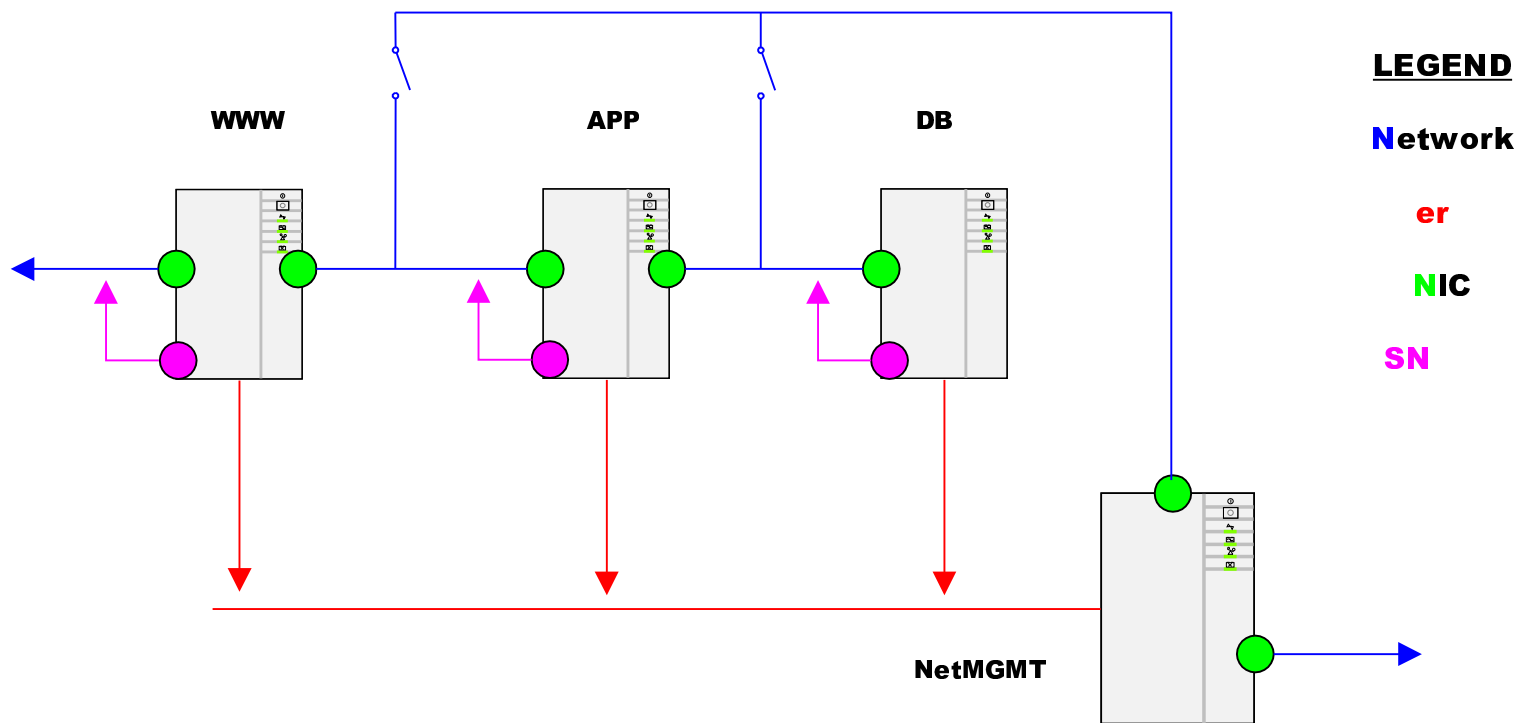


Secured n-Tier Web Services Architectures Case Study for NEbraskaCERT Conference 2003



Presentation (WWW Server)
Some studies refer to the "Client" tier
Considering the Client as the "Presentation"
JavaScript, HTML, XML

Application (CGI, J2EE, Cobol)
Not necessarily an independent server
Best defined by Usage
Applications ~= Programs

Data (dBaseIV, SQL, Contacts.TXT)
Does not imply a DataBase in the operational sense
Best considered as referential

